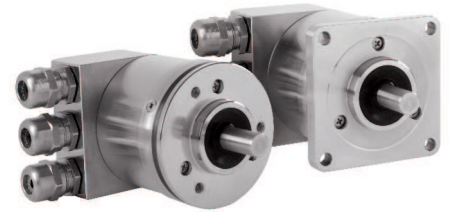


MAIN FEATURES

Thanks to the stainless steel enclosure, the encoder is suitable for food and beverage machinery, cranes and winches for ships, offshore applications, washing systems and all those environments where high corrosion resistance is required.

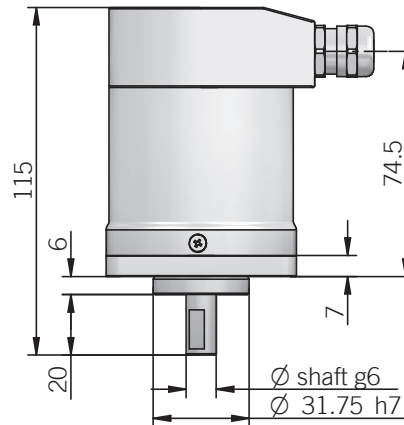
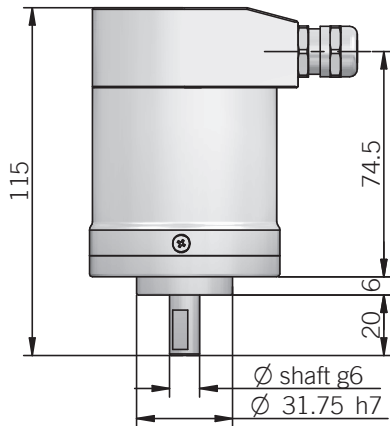
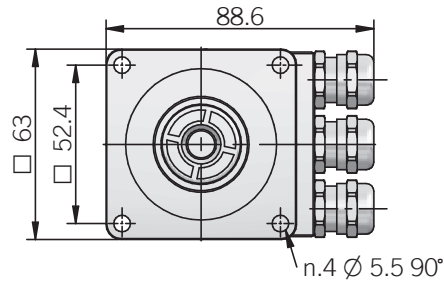
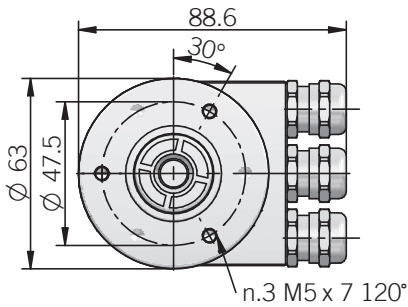
- Optical sensor technology (OptoASIC + gears)
- 25 bit total resolution (13 bit single turn (8192 ppr) + 12 bit multiturn (4096 turns))
- Power supply up to +28 VDC with Profibus DP as electronic interface
- Terminal box for fast setup
- Solid shaft diameter up to 10 mm
- Mounting by clamping or centering 2,5" square flange



ORDERING CODE	EAM	63DX	4096 / 4096	B	12/28	FXX	10	S	3	P3R	.XXX
SERIES multiturn absolute encoder EAM											
MODEL clamping flange \varnothing 31.75 mm AX centering square flange \varnothing 31.75 mm DX											
MULTITURN RESOLUTION turns 4096											
SINGLETURN RESOLUTION ppr 4096 / 8192											
CODE TYPE binary B											
POWER SUPPLY 12 ... 28 V DC 12/28											
ELECTRONIC INTERFACE PROFIBUS DP V0 CLASS 2 FXX											
SHAFT DIAMETER (9,52mm 3/8") mm 9 mm 10											
ENCLOSURE RATING IP 66 S											
MAX ROTATION SPEED 3000 rpm 3											
OUTPUT TYPE terminal box - radial cable glands P3R											
VARIANT custom version XXX											

EAM 63 AX

EAM 63 DX



dimensions in mm

ELECTRICAL SPECIFICATIONS

Multiturn resolution	1 ... 4096 turns <i>programmable during commissioning</i>
Singleturn resolution	2 ... 4096 / 2 ... 8192 ppr <i>programmable during commissioning</i>
Power supply	12/28 = 11,4 ... 29,4 V DC
Current consumption without load	300 mA
Output type	RS 485 galvanically isolated
Max bus frequency	12 Mbaud
Diagnostic features	frequency warning position warning / alarm <i>please refer to installation guide for more informations</i>
Max frequency	25 kHz LSB
Accuracy	± 1/2 LSB
Counting direction	programmable during commissioning
Start-up time	500 ms
Electromagnetic compatibility	IEC 61000-6-2 IEC 61000-6-4

MECHANICAL SPECIFICATIONS

Shaft diameter	ø 9,52 (3/8") / 10 mm
Enclosure rating	IP 66 (IEC 60529)
Max rotation speed	3000 rpm
Max shaft load	100 N axial / radial
Shock	50 G, 11 ms (IEC 60068-2-27)
Vibration	10 G, 10 ... 2000 Hz (IEC 60068-2-6)
Moment of inertia	1,5 x 10 ⁻⁶ kgm ²
Starting torque (at +20°C / +68°F)	< 0,06 Nm
Body material	1.4305 / AISI 303 stainless steel
Shaft material	1.4305 / AISI 303 stainless steel
Housing material	1.4305 / AISI 303 stainless steel
Bearings	2 ball bearings
Bearings life	10 ⁹ revolutions
Operating temperature	0° ... +60°C (+32° ... +140°F)
Storage temperature	-15° ... +70°C (+5° ... +158°F)
Weight	1200 g (42,33 oz)